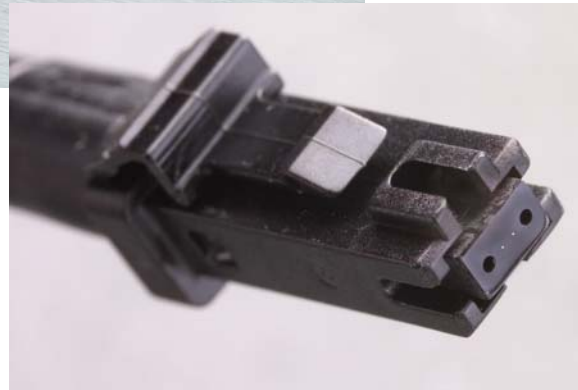
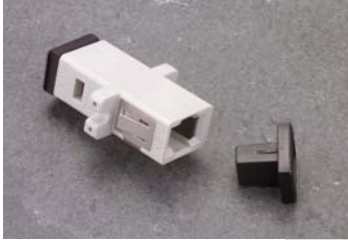


MT-RJ Optical Fibre Connector



The MT-RJ connector is a development of the now legendary MT ferrule. This amazing technology is at the heart of many state of the art connectors. The MT ferrule in its various designs has the ability to connect anything from two fibres in the MT-RJ or up to 72 fibres in the latest versions of the MPO connector.

The Optronics version of the MT-RJ, is capable of terminating any 126µm fibre. The flexibility of the connector allows it to be used in short run local area networks as well as longer haul cabling using single mode fibre.

Designed to terminate two fibres within a single connector, reducing the risk of operator error when inter-connecting equipment and distribution panels. Deliberately designed to look and feel like the industry standard copper connector, the MT-RJ removes the smoke and mirrors of fibre optic usage.

The high density MT-RJ connector allows the termination of high fibre count backbone cables to be terminated in smaller distribution panels.

Features

- MT based Multi-fibre Connector for two fibres.
- High density connector allows up to 72 fibres to be terminated in a 1u distribution panel.
- Latched lever similar to that found on standard copper connectors.
- Reliable quality supported by more than 15 years of FibreFab experience.

Specifications

Description

The MT-RJ connector is a high-density, small form factor connector designed to reduce the space required in the distribution Cabinets.

FibreFab has a full range of tools and products to assist you with the termination of the MT-RJ connector. For those who prefer to purchase pre-terminated pig-tails FibreFab can supply all your needs.

For full information on the full range FibreFab MT-RJ products and tooling please contact the address below for a data sheet.

Product Packaging

Connector in kit form, packaged in 100pcs

Intermateability

Optically and mechanically compatible with all equivalent connectors.
Compliant with IEC 61754-18.

Fibre Type: 9/125SM
50/125MM,
62.5/125MM

Fibre Count: 2

Insertion Loss (With master plug)

Standard Loss: $\leq 0.5\text{dB}$
Low Loss: $\leq 0.35\text{dB}$

Return Loss: $\geq 45\text{dB}$

Cable Type: Mini Zip

Adapter Bulkhead:

Single connector—Duplex

Vibration (Mated Pair):

(IEC 61300-2-1)
10-55 Hz, 1.5mm P to P
 $= 0.3\text{dB}$ Change

Mating Durability:

(IEC 61300-2-2)
1000 mating cycles
Clean every 25
 $< 0.2\text{dB}$ Change

High Temperature:

(IEC 61300-2-18)
75°C for 96 hours
 $= 0.2\text{dB}$ Change

Damp Heat:

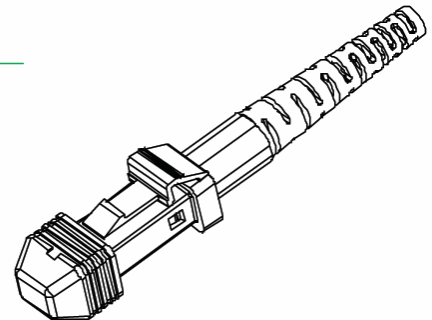
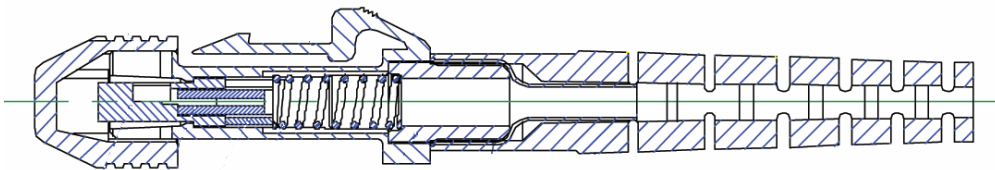
(IEC 61300-2-19)
60°C at 95% RH, 96 hours
 $= 0.2\text{dB}$ Change

Temperature Cycling

(IEC 61300-2-48)
-40 to +75°C, 40 cycles
 $= 0.2\text{dB}$ Change

Operating Temperature

-40°C to +85°C



Ordering Information

For ordering information contact the FibreFab sales office

FibreFab Limited

Witan Court
305 Upper Fourth Street
Central Milton Keynes
MK9 1EH

Tel: +44 (0) 870 127 3330
Fax: +44 (0) 870 127 3331
Email: sales@fibrefab.com
Internet: www.fibrefab.com

FibreFab Ltd is registered in England no. 2734823.