

Optical Fibre Patch Cords



Optical Fibre patch cords are a defining factor in ensuring your network performs to the highest level.

A patch cord can be split into three crucial components, the connector, the cable and the manufacturing process. These three areas all contribute to the performance of a patch cord, but above all the manufacturing process is the one that defines the performance of the assembly. Whilst the cable and connectors used in FibreFab optical fibre patch cords are the best available, it is our expertise in production that sets our products apart.

FibreFab has 15 years experience in manufacturing fibre optic cable assemblies using Biconic and SMA

through ST, SC to today's Small Form Factor connectors like the LC, MU, MT-RJ or SC-DC. If you have a fibre network, no matter what the technology, FibreFab can offer you a solution to your problem.

The FibreFab range of patch cords has grown through the years, from every day standard lengths to special products to meet your needs. From industry standard 62.5/125 multimode to 9/125 singlemode right the way up to state of the art OM3 50/125 cable assemblies, FibreFab can supply them all.

With a FibreFab patch cord you can be confident you are using the very best in cable, connectors and manufacturing.

Specifications

Description

The FibreFab optical fibre patch cords are manufactured using the best quality components. The connectors are the market leading Optronics range of connectors, and the cable exceeds all areas of the standards required for the assembly being produced.

Non-standard cables can be made to your own exacting standards in our ISO 9001 UK production facility. This encompasses all of the essential tools to ensure the products not only meet but also exceed the requirements laid down in IEC international standards for fibre optic terminations.

Optical Performance (Multimode)

Insertion loss: Max. 0.5 dB Typical 0.35 dB

Optical Performance (Singlemode)

Insertion loss: Max. 0.3 dB Typical 0.2 dB

Optical Performance (MT-RJ)

Insertion loss: Max. 0.7 dB Typical 0.5 dB

Return Loss: UPC better than 50dB
APC better than 60dB

IEC 874-1 method

Connectors

Types: FC, FC/APC, ST, SC, SC/APC, MT-RJ, MU, E2000

Mechanical

Length: 1000mm to 10,000mm ± 10mm
Other lengths available to order

Split Length (Duplex): 150mm ± 5mm

Sheath colour:	62.5/125	Yellow
	50/125	Orange
	09/125	Yellow

For full information on the Optronics connectors used on the FibreFab patch cords, please contact the address below for a connector data sheet.

Intermateability

Optically and mechanically compatible with all equivalent connectors.
Compliant with IEC 874-14.

Product Packaging

Each patch cord is packaged individually and individually identified for traceability, test certification is supplied for each assembly.

Temperature Cycling

(IEC 874-1 sec. 4.5.22)
-40 to +75°C, 40 cycles
=0.2dB Change

High Temperature:

(IEC 874-1 sec. 4.5.18)
75°C for 96 hours
=0.2dB Change

Damp Heat:

(IEC 874-1 sec. 4.5.19)
60°C at 95% RH, 96 hours
=0.2dB Change

Vibration (Mated Pair):

(IEC 874-1 sec. 4.5.1)
10-55 Hz, 1.5mm P to P
=0.3dB Change

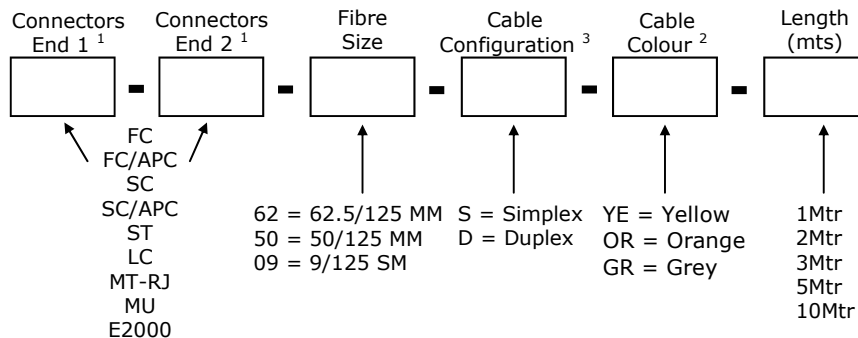
Mating Durability:

(IEC 874-1 sec. 4.5.32)
1000 mating cycles
Clean every 25
< 0.2 dB Change

Operating Temperature

-40°C to +85°C

Ordering Information



¹ Other Connectors Available on Request
² Singlemode cable only available in Yellow
³ MT-RJ is only available in MiniZip

FibreFab Limited

Witan Court	Tel: +44 (0) 870 127 3330
305 Upper Fourth Street	Fax: +44 (0) 870 127 3331
Central Milton Keynes	Email: sales@fibrefab.com
MK9 1EH	Internet: www.fibrefab.com